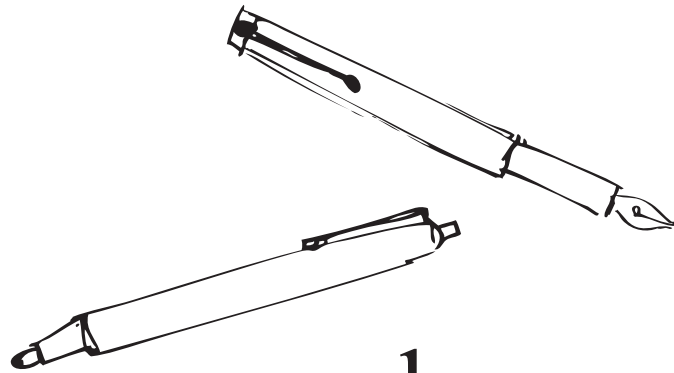


mesh

EDEN VALLEY RIESLING

2008



mesh

EDEN VALLEY RIESLING

2008

Mesh is a joint venture between two of South Australia's most iconic winemakers, Robert Hill Smith and Jeffrey Grosset. The grapes for this wine are grown in the Eden Valley, and it shows all the region's characteristically intense lime fruit, along with hints of peachiness and minerality. It should age well, developing a toasty, marmalade character over time, but I wouldn't be able to keep my hands off it long enough for that to happen. I'd aim to drink my bottle this summer with some simply barbecued prawns, fresh off the griddle and tossed with a bit of chilli and a squeeze of lime juice...

- Natasha Hughes [UK]

FOOD & WINE

4 February 2009

